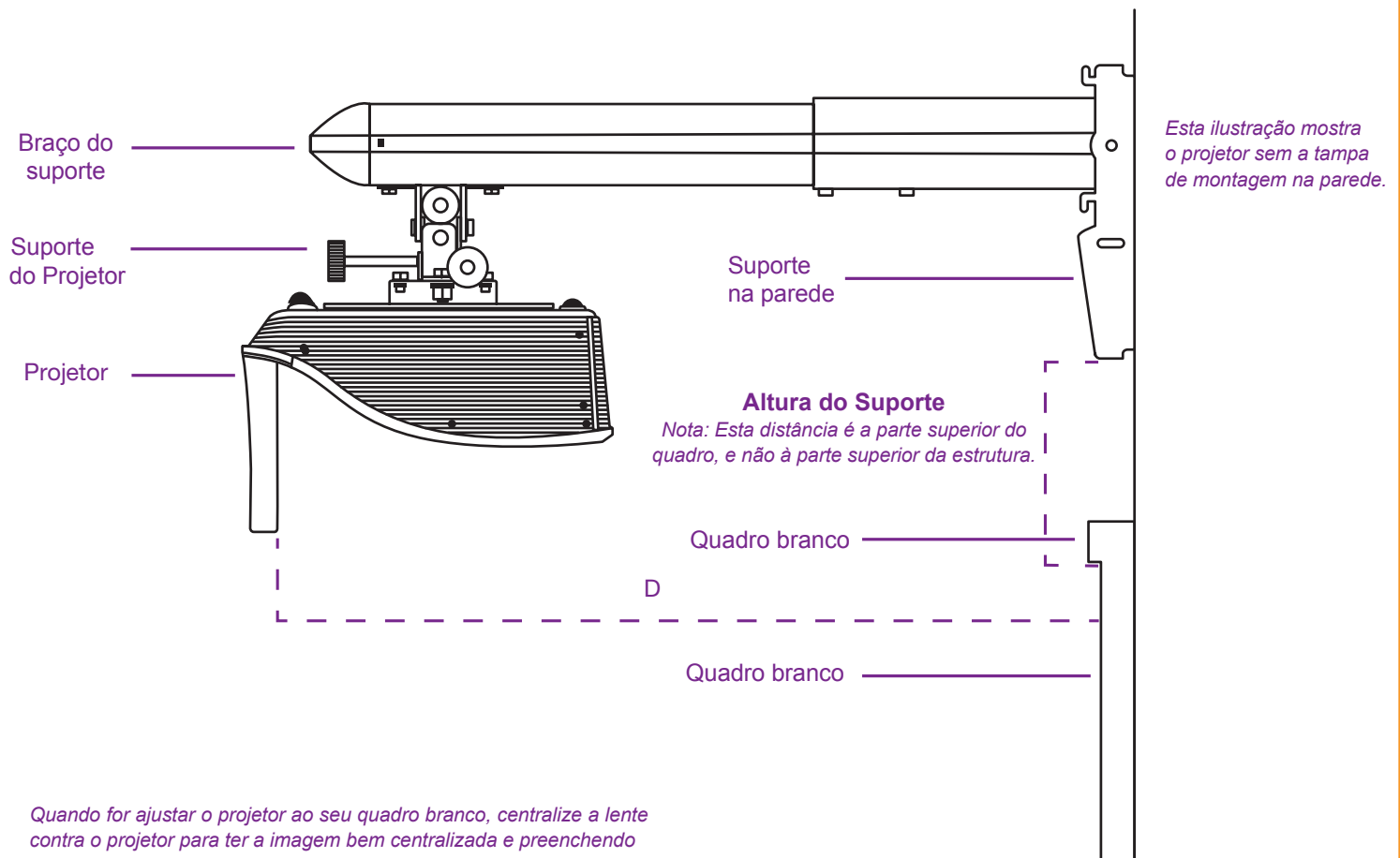


Cálculo de distância do MimioProjector

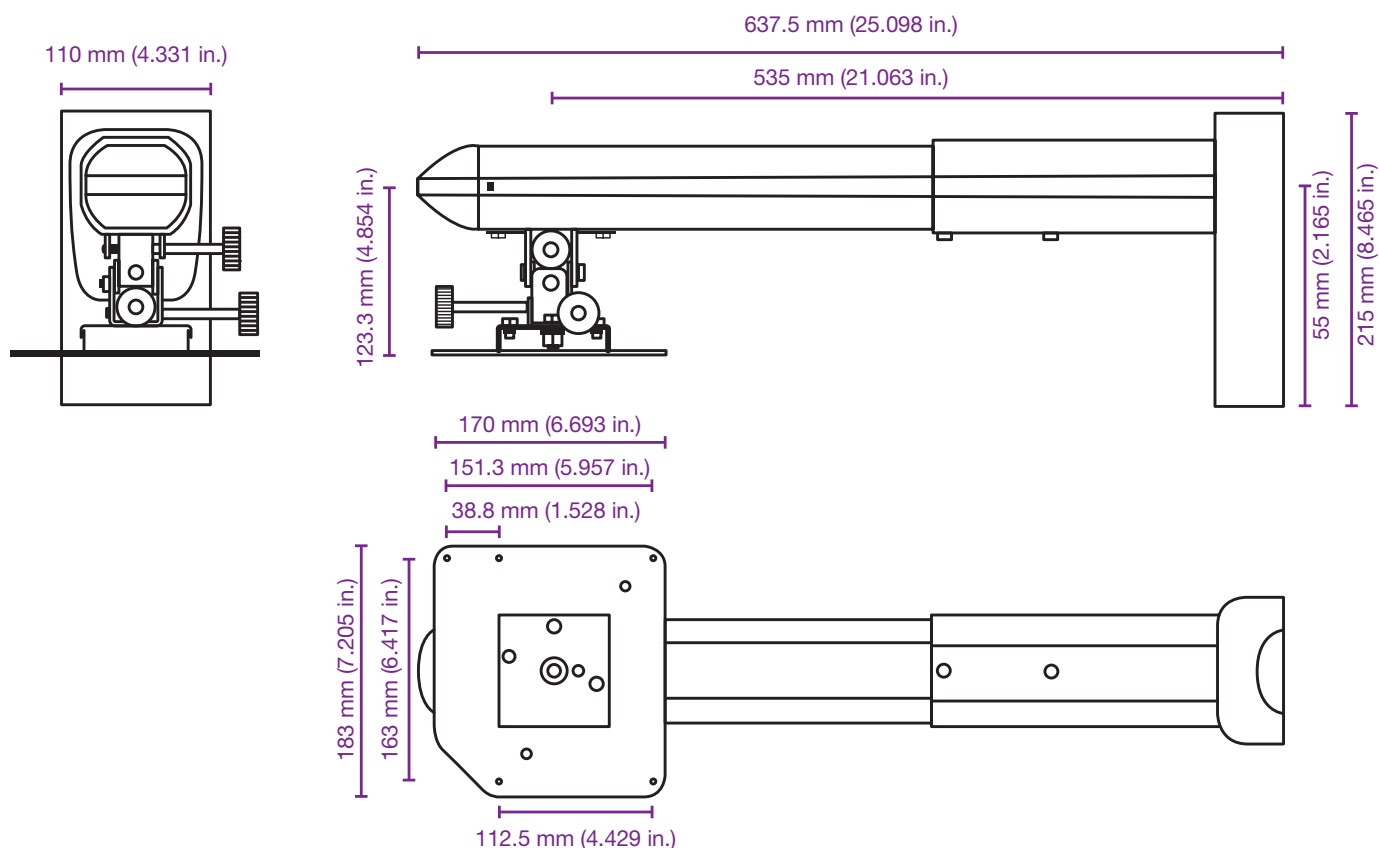


Quando for ajustar o projetor ao seu quadro branco, centralize a lente contra o projetor para ter a imagem bem centralizada e preenchendo a maior área possível.

DIMENSÕES DE MONTAGEM		
DIAGONAL WXGA	DISTÂNCIA (D)	ALTURA DO SUPORTE
1778 mm (70 in.)	517 mm (20.35 in.)	252 mm (9.92 in.)
1803 mm (71 in.)	524 mm (20.63 in.)	256 mm (10.08 in.)
1829 mm (72 in.)	532 mm (20.94 in.)	259 mm (10.20 in.)
1854 mm (73 in.)	540 mm (21.26 in.)	262 mm (10.31 in.)
1880 mm (74 in.)	548 mm (21.57 in.)	266 mm (10.47 in.)
1905 mm (75 in.)	556 mm (21.89 in.)	269 mm (10.59 in.)
1930 mm (76 in.)	564 mm (22.20 in.)	272 mm (10.71 in.)
1956 mm (77 in.)	572 mm (22.52 in.)	276 mm (10.87 in.)
1981 mm (78 in.)	580 mm (22.83 in.)	279 mm (10.98 in.)
2007 mm (79 in.)	588 mm (23.15 in.)	282 mm (11.10 in.)
2037 mm (80.2 in.)	597 mm (23.50 in.)	286 mm (11.26 in.)
2057 mm (81 in.)	604 mm (23.78 in.)	288 mm (11.34 in.)
2083 mm (82 in.)	612 mm (24.09 in.)	292 mm (11.50 in.)
2108 mm (83 in.)	621 mm (24.45 in.)	295 mm (11.61 in.)
2134 mm (84 in.)	629 mm (24.76 in.)	298 mm (11.73 in.)

2159 mm (85 in.)	637 mm (25.08 in.)	302 mm (11.89 in.)
2184 mm (86 in.)	645 mm (25.39 in.)	305 mm (12.01 in.)
2215 mm (87.2 in.)	654 mm (25.75 in.)	309 mm (12.17 in.)
2235 mm (88 in.)	661 mm (26.02 in.)	312 mm (12.28 in.)
2261 mm (89 in.)	669 mm (26.34 in.)	315 mm (12.40 in.)
2286 mm (90 in.)	677 mm (26.65 in.)	318 mm (12.52 in.)
2311 mm (91 in.)	685 mm (26.97 in.)	321 mm (12.64 in.)
2337 mm (92 in.)	694 mm (27.32 in.)	325 mm (12.80 in.)
2362 mm (93 in.)	702 mm (27.64 in.)	328 mm (12.91 in.)
2388 mm (94 in.)	710 mm (27.95 in.)	331 mm (13.03 in.)
2413 mm (95 in.)	718 mm (28.27 in.)	334 mm (13.15 in.)
2454 mm (96.6 in.)	731 mm (28.78 in.)	339 mm (13.35 in.)
2464 mm (97 in.)	734 mm (28.90 in.)	341 mm (13.43 in.)
2489 mm (98 in.)	743 mm (29.25 in.)	344 mm (13.54 in.)
2515 mm (99 in.)	751 mm (29.57 in.)	347 mm (13.66 in.)
2540 mm (100 in.)	759 mm (29.88 in.)	351 mm (13.82 in.)

Montagem do MimioProjector



ESPECIFICAÇÕES

Material	Aço / Liga de Alumínio / Plástico
Peso	2.9 kg (6.39 lb)
Dimensões (W x H x D)	110 mm x 215 mm x 637.5 mm (4.33 in. x 8.47 in. x 25.10 in.)
Distância máx. da Parede	535 mm (21.063 in.)
Capacidade de peso	15 kg (33.07 lb)
Tipo de parafuso	M4
Inclinação na parede	Até +/- 5°
Ângulo de inclinação	+/- 10°
Rotatória	+/- 10°
Horizontal	+/- 20 mm (.79 in.)
Ângulo horizontal	+/- 10°